
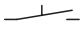


**Plastic bodied limit switch**  
Series IN65-modular system

Description **IN65-SE2 M20**

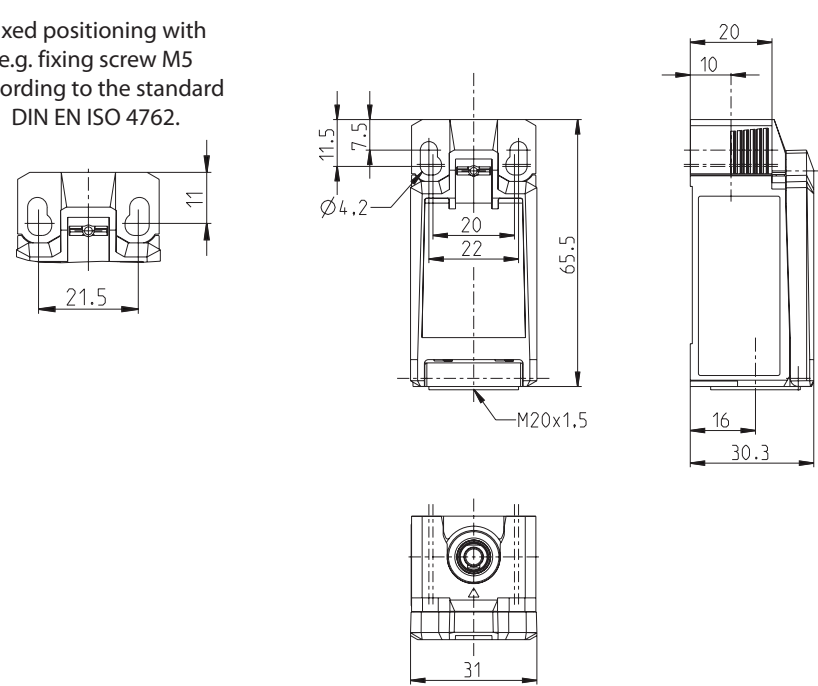
Article number **6083000275**

**Operating symbol**

13  14  
23  24

**Enclosure with built-in switches without actuating device**

Fixed positioning with e.g. fixing screw M5 according to the standard DIN EN ISO 4762.



| Electrical Data                         |           |   |
|---|-----------|---|
| Rated insulation voltage                | $U_i$     | 400 V   |
| Rated impulse withstand voltage         | $U_{imp}$ | 4 kV  |
| Rated operational voltage               | $U_e$     | 240 V AC / 24 V DC  |
| Rated supply frequency AC               |           | 50 / 60 Hz  |
| Overvoltage category                    |           | II acc. EN 60947-1 annex H table H1                           |
| Conv. thermal current                   | $I_{the}$ | 5 A   |
| Minimum current                         |           | 1 mA  |
| Utilization category                    |           | AC-15, $U_e/I_e$ 240 V / 3 A<br>DC-13, $U_e/I_e$ 24 V / 1,5 A |
| Short-circuit protective device         |           | Fuse 4 A gG   |
| Rated conditional short-circuit current |           | 400 A   |
| Max. contact resistance                 |           | 25 mOhm (unused)  |

| Mechanical data                    |       |   |
|------------------------------------|-------|---|
| Enclosure                          |       | Thermoplastic, glass fibre reinforced (UL 94-V0)                                  |
| Cover                              |       | Thermoplastic, glass fibre reinforced (UL 94-V0)                                  |
| Actuating force                    | $F_B$ | $10\text{ N} \leq F_B \leq 30\text{ N}$   |
| Operating temperature              |       | $-30\text{ °C} \dots +75\text{ °C}$   |
| Storage temperature                |       | $-40\text{ °C} \dots +80\text{ °C}$   |
| Protection type                    |       | IP66 / IP67 acc. EN 60529   |
| Pollution degree (built-in switch) |       | 3   |
| Contact material                   |       | silver  |
| Device Class (built-in switch)     |       | Category E (MC3+CC2+SC1) acc. EN 60947-1 annex Q                                  |
| Contact type                       |       | 2 N.O. (Form Zb)  |
| Operating rate                     | $V$   | $0,06\text{ m/min} \leq V \leq 30\text{ m/min}$                                   |
| Bounce duration                    | ms    | < 3 ms  |
| Switchover time                    | ms    | < 8 ms  |
| Switching frequency                |       | $\leq 60 / \text{min.}$   |
| Mechanical life                    |       | $15 \times 10^6$ operating cycles   |
| Mission time                       |       | $\leq 20$ years   |
| Connection                         |       | 4 screw connections (M3)  |
| Conductor cross-sections           |       | Solid or Litz wire with ferrules $0,34\text{ mm}^2 - 1,5\text{ mm}^2$ ; AWG 22-16 |
| Cable entrance                     |       | 1 x M20 x1,5  |
| Weight                             |       | $\approx 0,06\text{ kg}$  |
| Installation position              |       | operator definable  |

| Standards |                          |
|-----------|--------------------------|
|           | DIN EN 60947-5-1         |
|           | UL 508 / CSA C22.2 No.14 |

| EU Conformity |  |
|---------------|--|
|               | acc. to directive 2014/35/EU (Low-Voltage-Directive) |

| Approvals |   |
|-----------|---|
|           | CCC (AC 15, $U_e/I_e$ 240 V / 1,5 A; DC 13, $U_e/I_e$ 24 V / 1,5 A) |

| Notes   |  |
|---|--|
| <p>The degree of protection (IP code) specified applies solely to a property closed cover, the use of an equivalent cable gland with adequate cable and mounted actuating device.</p> |  |
| <p>The information on the switching travel can be found in the data sheets of the actuator, as these depend on the actuator used.</p>   |  |
| <p>Approvals / properties applies only to the fully assembled device.</p>   |  |